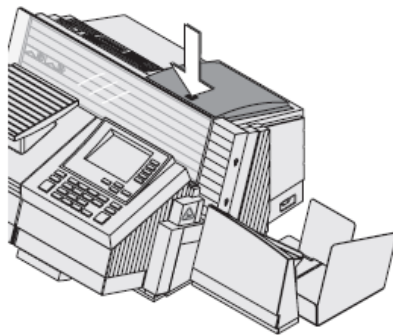


centormail Bulk Ink Tank Replacement Instructions

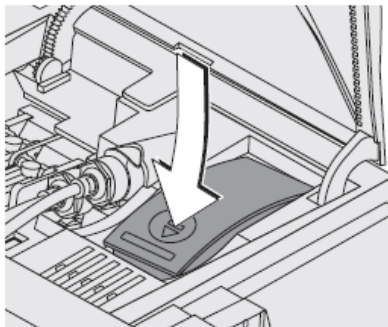
If you wish to replace the bulk ink cartridges before prompted to do so by centormail, you can start the procedure from the MENU.

1. Press the **Menu** key.
2. Select PRINTING
3. Select CHANGE INK CARTRIDGE / PRINTHEADS.
4. Select CHANGE BULK INK CARTRIDGE
5. Remove the Bulk ink tank:



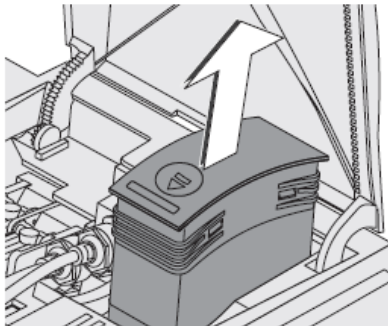
Remove the ink tank

- Open the flap by pressing the release key.



- Press on the recess on the tank lid, press down the tank and pull forward at the same time.

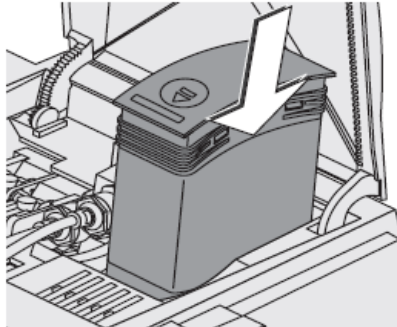
The tank is now unlocked and rests loose in its bracket.



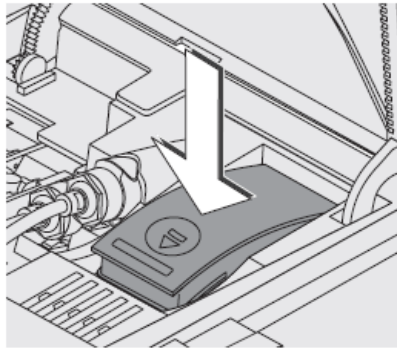
- Pull the tank upward out of the bracket.

Insert new ink tank

- Unpack the new ink tank.
- Insert the ink tank as illustrated.



- Push down the ink tank. The ink tank locks into its bracket.



- Close the lid. Press the release key to lock the lid.
- Confirm the completion of each step with FINISH.

