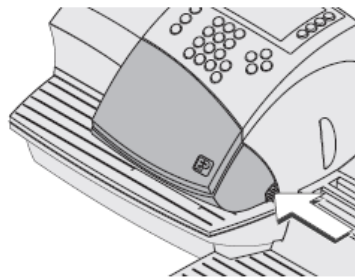


optimail 30 Ribbon Cassette Replacement Instructions

The **optimail 30** will remind you that the ribbon cassette should be exchanged. Please follow the instructions below to replace your ribbon cassette.

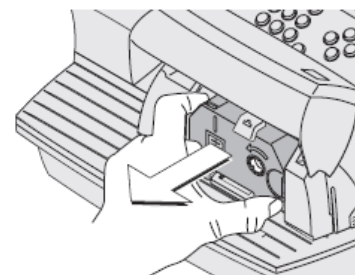


Caution! Only use original ribbon cassettes from Francotyp-Postalia.



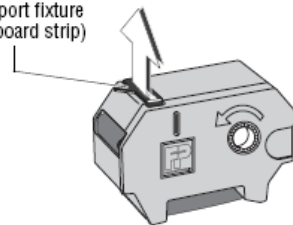
- Open the flap of the ribbon cassette compartment by lightly pressing the release catch.

The flap swings up automatically.



- Holding it as shown in the illustration, pull out the used ribbon cassette in arrow direction.

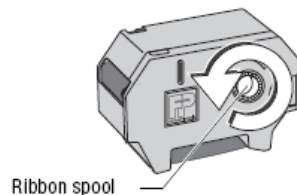
Transport fixture
(cardboard strip)



- Take the new ribbon cassette from the packing.

A cardboard strip may be present in the ribbon cassette as transport fixture (see the illustration).

- If present: Remove the cardboard strip.



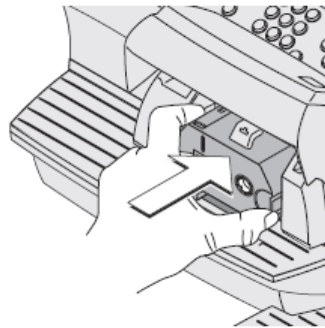
Ribbon spool

- Tension the ribbon. Turn the white ribbon spool in the direction of the arrow.

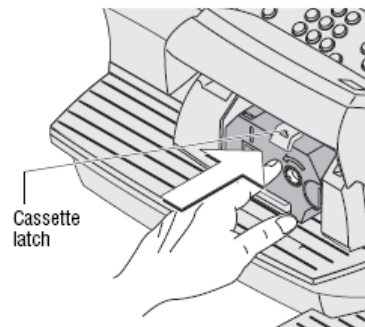


Caution! Make sure not to crease or tear the ribbon when inserting it. Otherwise the ribbon might break.

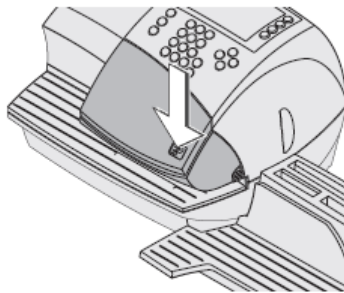
Also make sure the edges of the ribbon do not fold over. Folded ribbons are thicker and prematurely fill the take-up ribbon spool.



- Place the ribbon cassette on the letter receiving tray with the ribbon facing downwards.
- Hold the ribbon cassette as shown in the illustration and carefully insert it in the cassette slot. The cassette must easily slide into the cassette slot.



- Insert the cassette until the latch snaps in.



- Close the flap. You can feel the lock snap in.